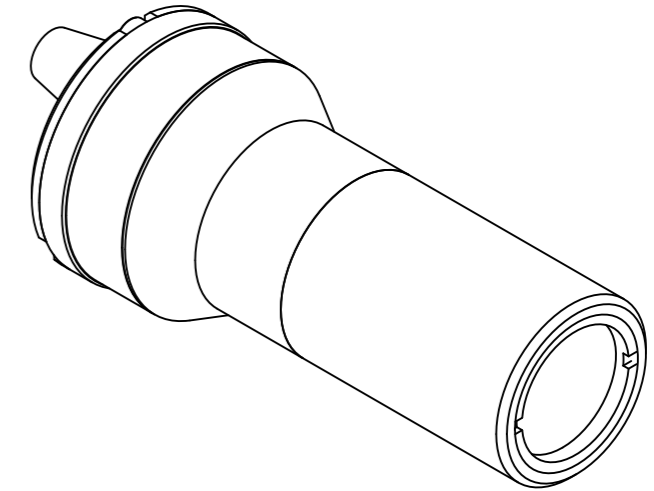
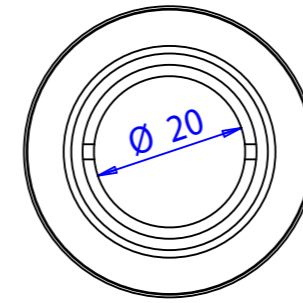
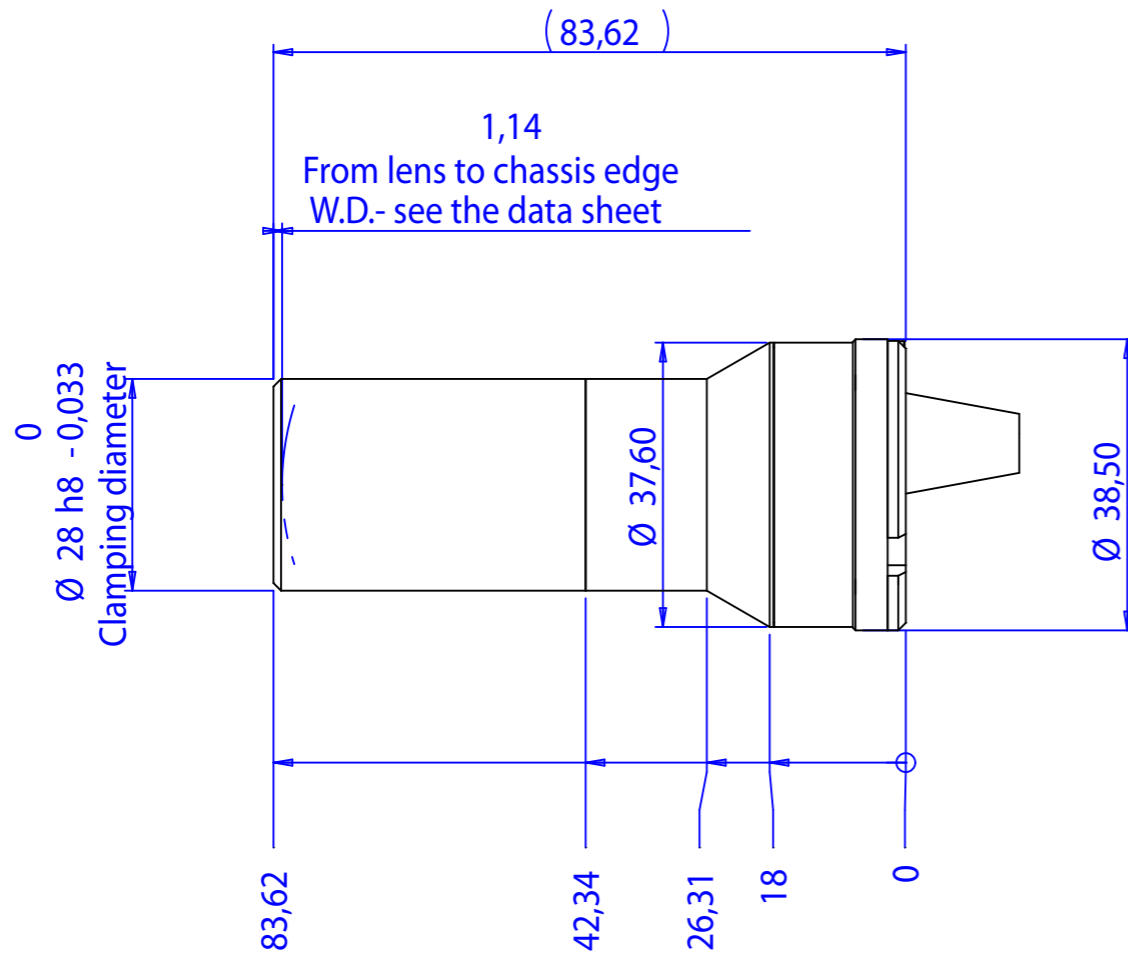


Rev No.	Description	Date	Name
A	Layout	09/06/09	A.Vismara



Material		N.A.		Mass		0.130 kg		Scale		1:1	
Surface treatment		N.A.		Project-Prod.item/Instrument		Illuminator LTCL23					
Geometrical tolerance (ISO 2768-2)				Class		K		Undimensioned bevels		1x45°	
Linear tolerance (ISO 2768-2)				Class		m		Undimensioned radii		R 0.5	
0.5	>3÷	>6÷	>30÷	>120	>400÷	>1000	>2000	Date		Name	
±3	6	30	120	±400	±1000	±2000	±4000	Designed		A.Vismara	
±0.1	±0.1	±0.2	±0.3	±0.5	±0.8	±1.2	±2	Draw		A.Vismara	
								Checked		C. Sedazzari	
								Date		09/06/09	
								Name		A.Vismara	
								Date		09/06/09	
								Name		A.Vismara	
								Checked		X	
								Date			
								Name			
								Drawing No.		02010-0-A	
								Sheet		1/1	
Reproduction forbidden without specific authorization											
OPTO ENGINEERING S.r.l. - 46100 Mantova Italy - Via Cremona, 29/2 - Tel. +39 0376 263525 - e-mail: info@opto-engineering.com - http://www.opto-engineering.com											

